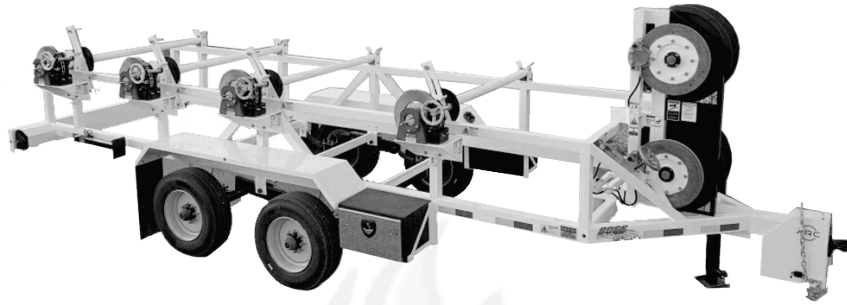




QUADLINE 4000

4 REEL / 24in. BULLWHEEL TENSIONER



Boss Products, Inc.
602 Maple Lane
Wakarusa, IN 46573
Office: 574-970-0450

sales@bossproductsinc.com
www.PoleCatTrailers.com

TRAILER SPECIFICATIONS

GVWR	20,000 lbs. / 9,072 kg
Frame Construction	Steel Tube
Trailer Weight	5,880 lbs. / 2,667 kg
Trailer Width	101.5 in.
Trailer Length	25 ft.
Tire Sizes	235 / 75R17.5
Axle Wheels	4
GAWR	10,000 lbs. Tandem Overslung
Suspension	Leaf-Spring
Towing Electrical Plug	7 Way Round Pin
Brake System	Electric incl. Breakaway Kit, Battery & Charger
Lighting	US DOT Regulation LED
Color	Plascoat® White Finish

ACCESSORIES

Wheel Chocks	2
Clevis Hooks on Safety Chains	3/8 in.
Copper Grounding Rod	1
Lunette Ring (with 4 mounting height locations)	3 in. I.D.
Square Sidewind Hitch Jack	12,000 lbs. with 26 in. Lift
Square Sidewind Rear Leveling Jack	(2) 5,000 lbs. with 28-11/16 in. Lift
Stainless Steel Front - Tool Boxes	(2) 24 in. W x 14 in. H x 16 in. D
Document Holder	1
Mud Flaps	Single Wheel

REEL SPECIFICATIONS

Max Reel Width	60 in.
Max Reel Diameter	(1) Front Reel - 72 in. Fully Loaded / (3) Other Reels - 48 in.
Sliding Fairlead with 4 rollers	1
Bullwheel Brake Pressure Gauge	1
Bullwheel Operator Safety Screen	1
2.875 in. Solid Cold Rolled Steel Shaft with Crossarm & 12 in. Locking Reel Collar	4
24 in. Bullwheel (70 Durometer EPDM Lagging)	2
Bullwheel Grooves (1.5 in. diameter)	5
20 in. Steel Rotors with Hydraulic Disc Brakes & Handwheel Adjustment	2
16 in. Ventilated Bronze Over Spin Brake Assembly	4
Maximum Tension Capacity	Estimated 2,400 lbs. @ 2 MPH